

**ATENCO RM31E 6-10KVA UPS
battery pack user manual**

4256-7746 A

1. Instructure:

6-10kVA UPS battery pack dimension is W482*H175*D861.5mm. It includes battery connection cables, breaker, fuse, terminal, etc, with max. Capacity of 40pcs 12V/7AH or 12V/9AH batteries inside. The battery connection could be configured to output $\pm 120V$, two groups batteries connect in series as BAT+, N、BAT- .

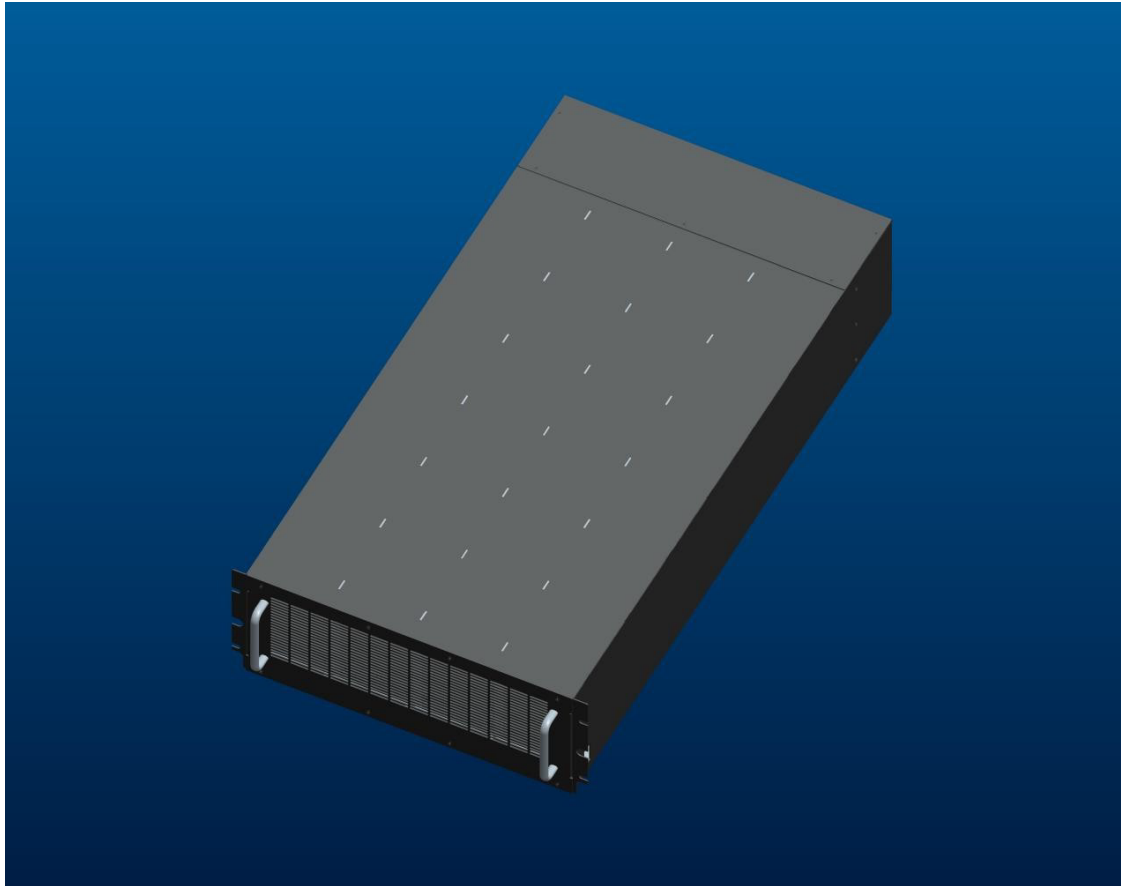


Fig.1 The complete battery pack cabinet

2. Assembly

2.1 Dismount the cabinet shell

Put the battery pack on a level, pull of bolts at the right side battery tray, than pull out the battery tray, remove the battery tray top covers for easier battery installation and connection, as shown in Fig. 2 & Fig. 3.

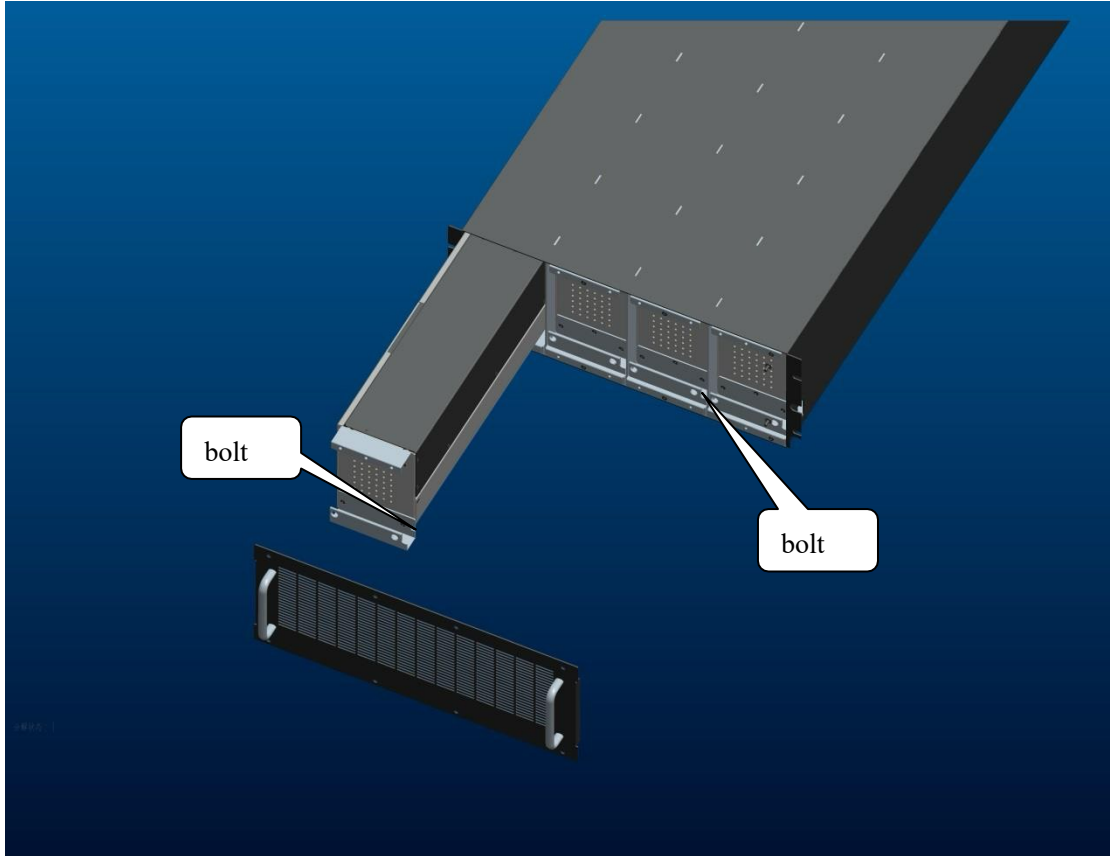


Fig.2

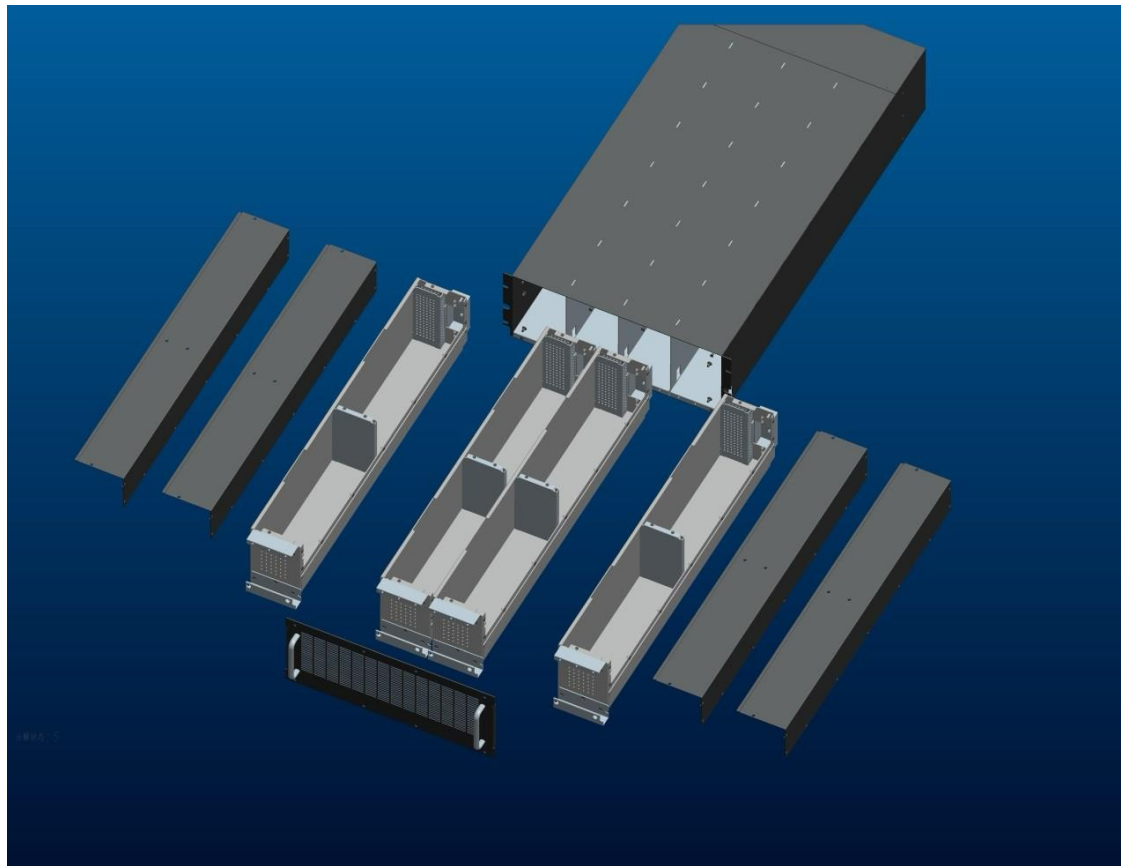


Fig.3

2.2 Battery installation and connection

Users need 40pcs batteries, divide into 4 groups. Each group has 10 pcs batteries in series, as (BAT+ N BAT-) shown below.

2.2.1 40pcs batteries installation and connection: Each battery tray fit 10pcs batteries, then connect the batteries as shown in below pictures.

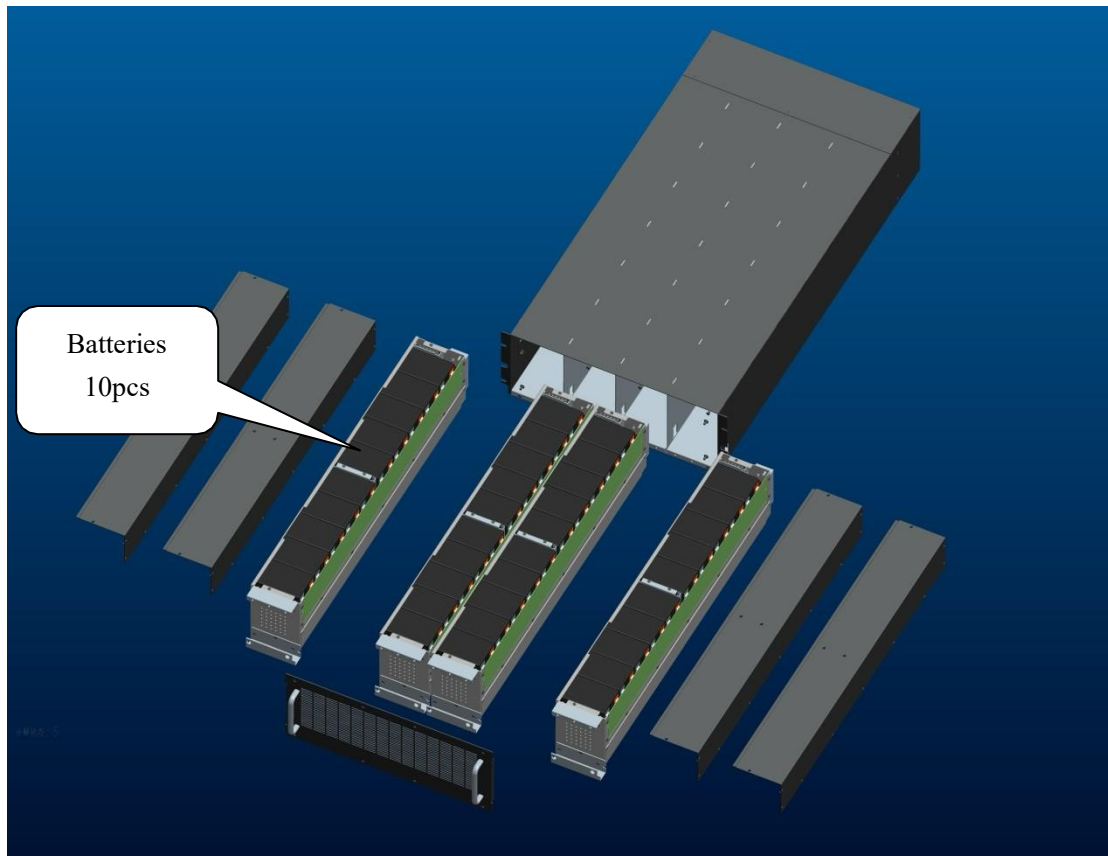


Fig. 4 (40pcs batteries installation)

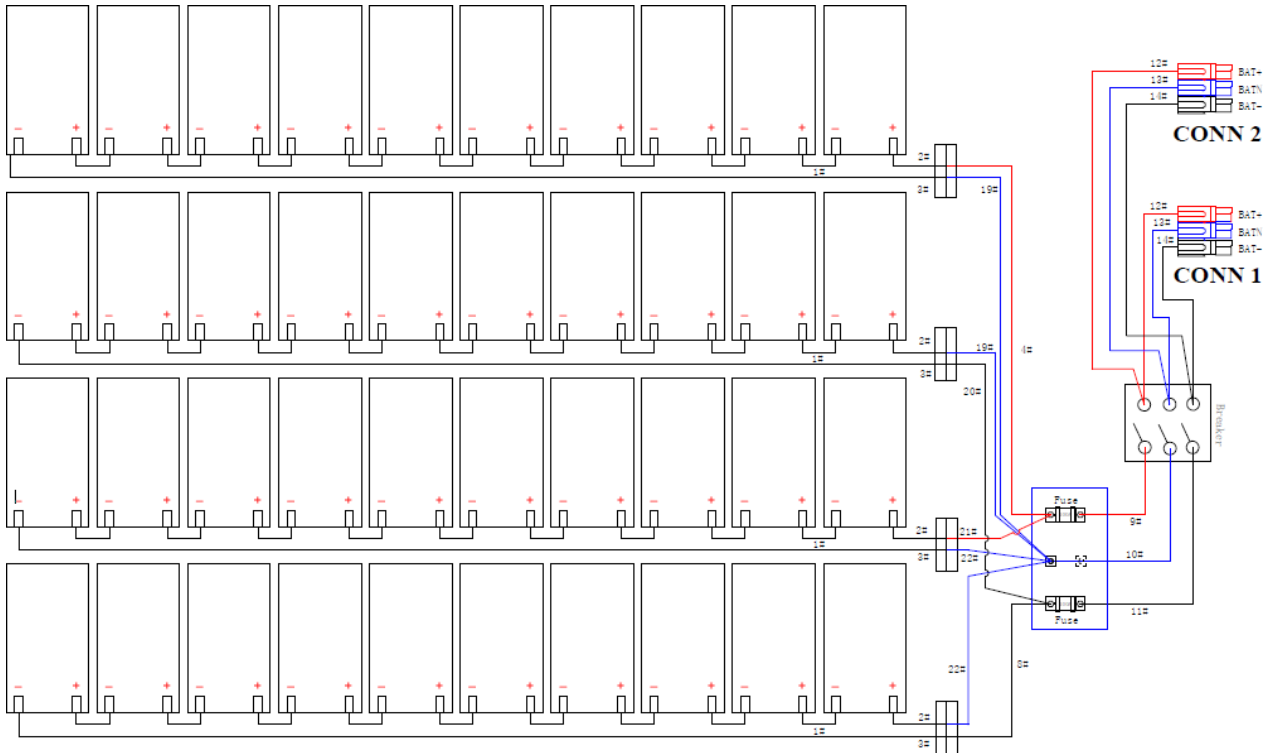


Fig. 5 (40pcs batteries connection)

2.2.2 After the battery installation and connection done, check if BAT+ to N & N to BAT- voltages are correct with multimeter or other equipments. Install the cover if the voltages are correct.

NOTE: Battery “+” “-” poles cannot be reversed, also cannot short the battery “+” “-” poles, otherwise batteries would be damaged or other accidents would happen. Don’t touch the battery “+” “-” poles at the same time. It’s better only single man make the operation.

2.3 Fuse in battery pack

The battery pack has 2pcs fuses inside as shown in below picture.

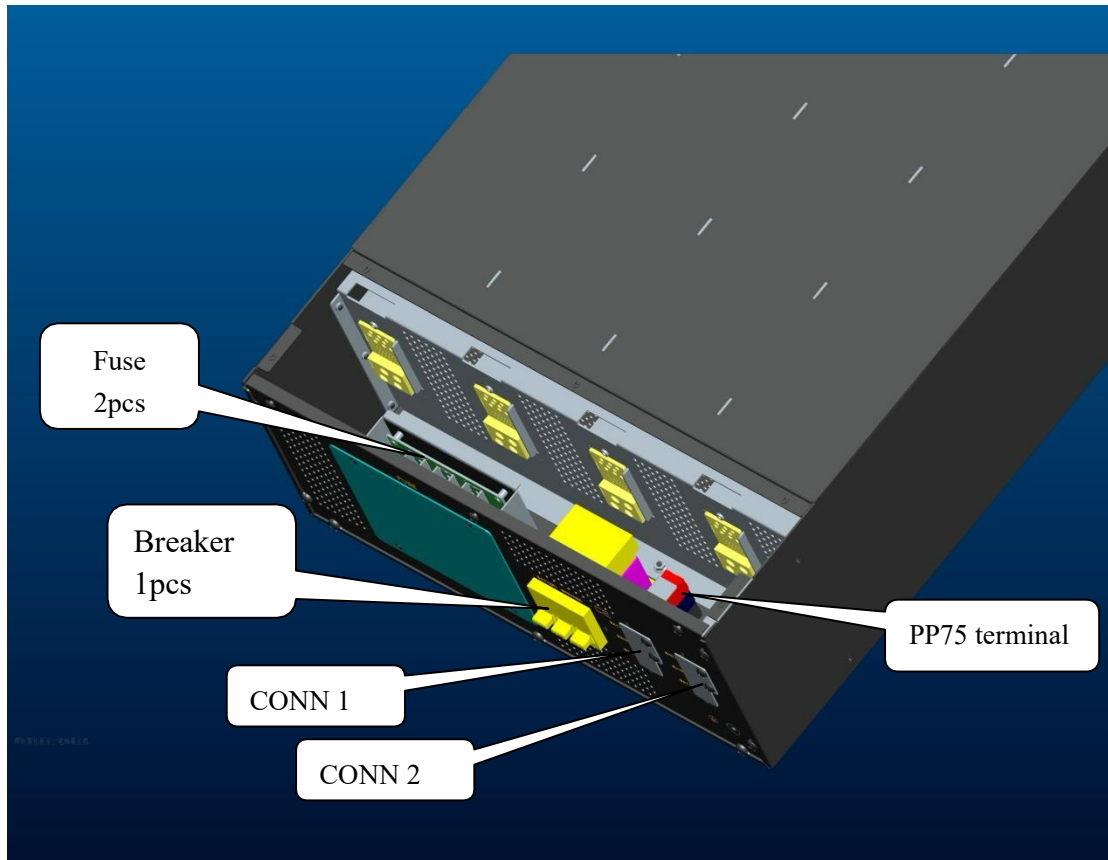


Fig. 6 fuse

3. Battery pack accessories

A complete 10-20kVA UPS battery pack includes below accessories.

No.	Name	Specification	PCS
1	Cable 1#	Black wire 1015 10AWG 850mm 250TC*2	36
2	Cable 2#	Red wire 1015 10AWG 180mm 250TC+8KYAg-G	4
3	Cable 3#	Black wire 1015 10AWG 750mm 250TC+8KYAg-G	4
4	Cable 4#	Red wire 1015 8AWG 260mm 8ZYAGL+OI8-5M	1
5	Cable 8#	Black wire 1015 8AWG 190mm 8ZYAGL+OI8-5M	1
6	Cable 9#	Red wire 1015 8AWG 220mm E10-12+OI8-5M	1
7	Cable 10#	White wire 1015 8AWG 290mm E10-12+OI8-5M	1
8	Cable 11#	Black wire 1015 8AWG 220mm E10-12+OI8-5M	1
9	Cable 12#	2 Red wire 1015 8AWG 280*2mm PP75*2+SB50*2+TE10-14	1
10	Cable 13#	2 White wire 1015 8AWG 280*2mm PP75*2+SB50*2+TE10-14	1
11	Cable 14#	2 Black wire 1015 8AWG 280*2mm PP75*2+SB50*2+TE10-14	1
12	Cable 15#	Green & Yellow 1015 12AWG 80mm 12KYAg-G+OI5.5-5	4
13	Cable 16#	2 Green & Yellow 1015 12AWG 190/170mm 12ZYAGL*2+OI8-6S	2
14	Cable 17#	Green & Yellow 1015 8AWG 190mm OI8-5M*2	1
15	Cable 19#	2 White wire 1015 8AWG 260/230mm 8ZYAGL*2+ OI14-5	1
16	Cable 20#	Black wire 1015 8AWG 230mm 8ZYAGL+ OI8-5M	1
17	Cable 21#	Red wire 1015 8AWG 160mm 8ZYAGL+ OI8-5M	1
18	Cable 22#	2 White wire 1015 8AWG 240/210mm 8ZYAGL*2+ OI14-5	1
19	Breaker	NDB2Z-63 C63/3 3P 63A/750Vdc 5KA TUV/3C certified	1
20	PCBA	Fuse board UHTBJST1UX11	1
21	User manual	142.5*210mm	1
22	Battery Pack	645*275*985mm	1