



User Manual (cabinet)

RM11E Elite 6-10kVA

Solutions behind the power

All rights reserved.

The information in this document is subject to change without notice.

Publish statement

Thank you for purchasing this series UPS.

This series UPS is an intelligent, single phase in single phase out, high frequency online UPS designed by our R&D team who is with years of designing experiences on UPS. With excellent electrical performance, perfect intelligent monitoring and network functions, smart appearance, complying with EMC and safety standards, The UPS meets the world' s advanced level.

Read this manual carefully before installation

This manual provides technical support to the operator of the equipment.

1:1



1 . Instructure :

5-10KVA UPS battery pack dimension is W440*H131*D681.5mm. It includes battery connection cables, breaker, fuse, terminal, etc, with max. capacity of 16/20pcs 12V/7AH or 12V/9AH batteries inside. The battery connection could be configured to output 240V or 192V, one group battery connect in series as BAT+, BAT-.

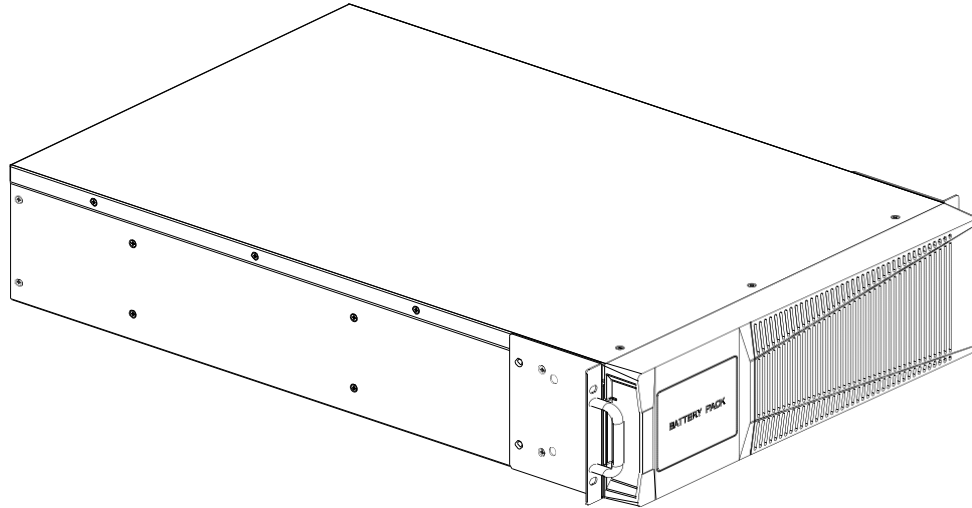


Fig.1 The complete battery pack cabinet

2 . Assembly

2.1 Dismount the cabinet shell

Put the battery pack on a level, take off the plastic panel and the front panel baffle, disconnect the battery docking terminals and remove the terminal bracket, then pull out the battery tray and remove the battery tray top covers for easier battery installation and connection, as shown in Fig. 2 & Fig3.

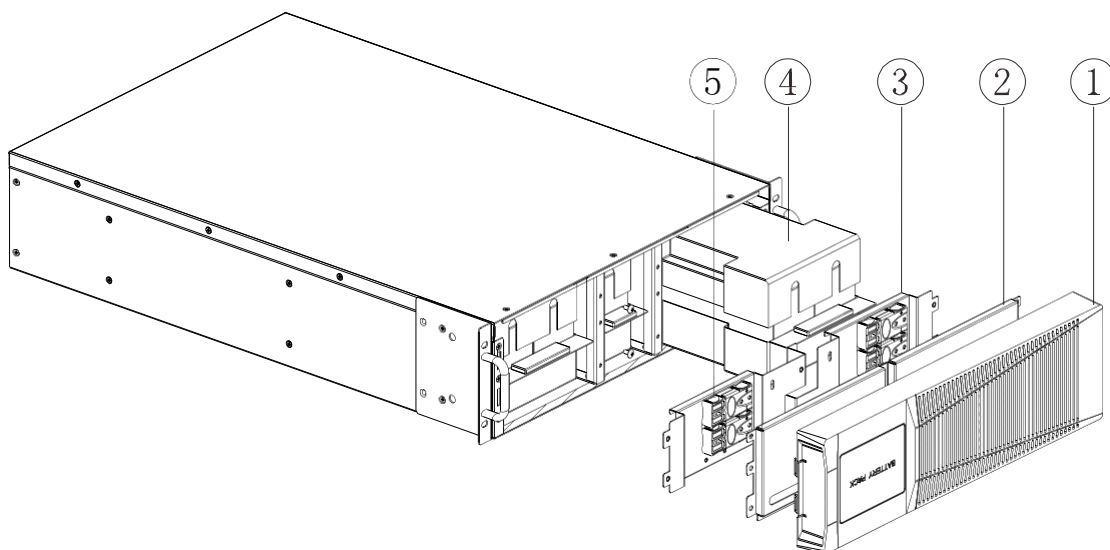


Fig.2

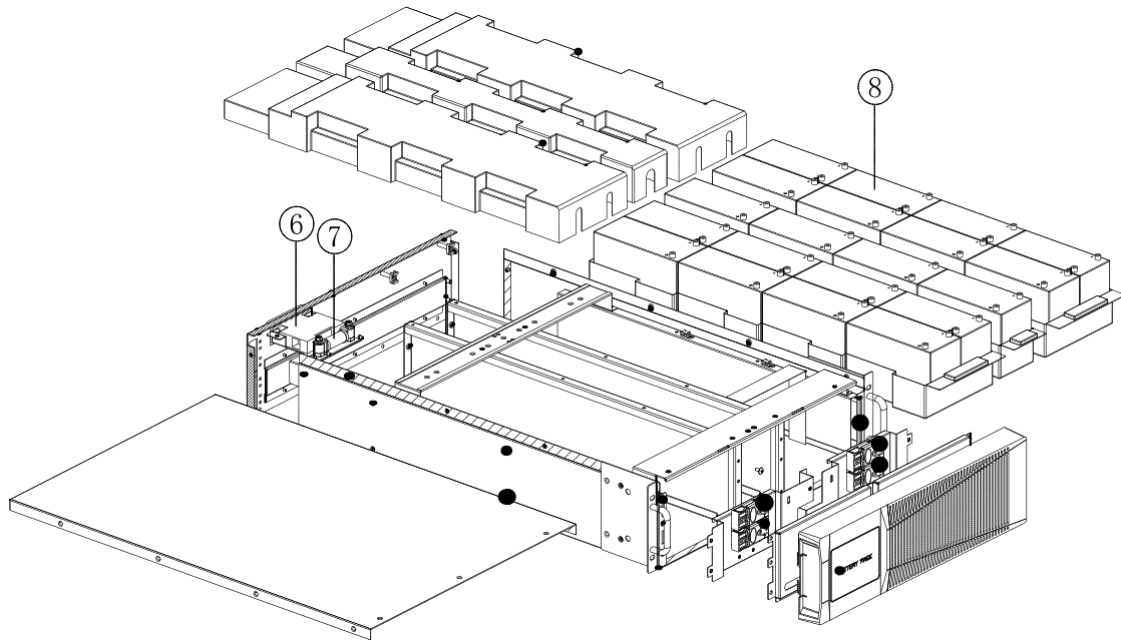


Fig.3

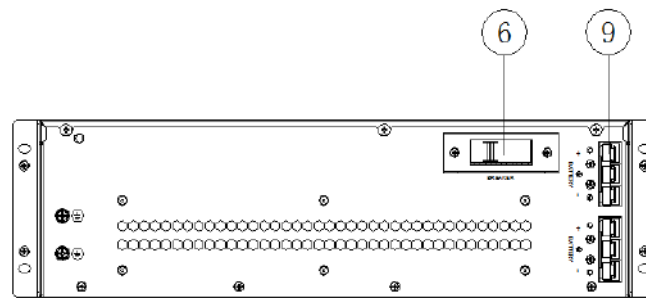


Fig.4

(1) Front panel	(2) Front panel baffle
(3) Terminal bracket	(4) Battery docking terminal
(5) Battery tray	(6) Breaker
(7) Fuse	(8) Battery
(9) Battery connector	

2.2 . Battery installation and connection

2.2.1. 20pcs batteries installation and connection

Users need 20pcs batteries, divide into 3 groups. Each group has 8pcs+8pcs+4pcs batteries in series, as (BAT+,BAT-) shown below.

20pcs batteries installation and connection: There have three battery trays, then connect the batteries as shown in below pictures.

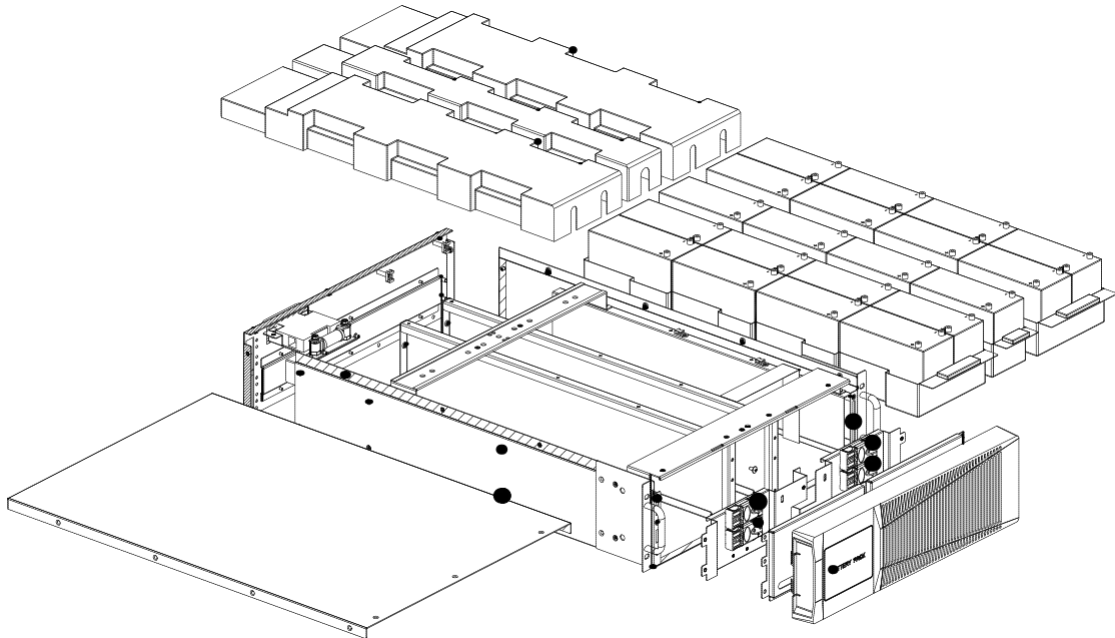


Fig. 5 (20pcs batteries installation)

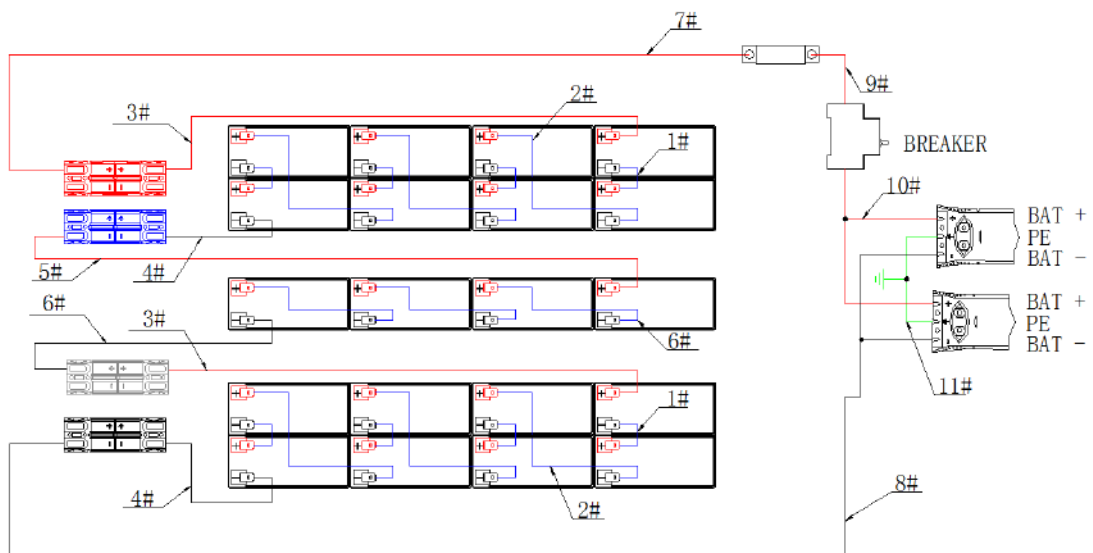


Fig. 6 (20pcs batteries connection)

2.2.2. 16pcs batteries installation and connection

Users need 16pcs batteries, divide into 2 groups. Each group has 8pcs+8pcs batteries in series, as (BAT+,BAT-) shown below.

16pcs batteries installation and connection: There have two battery trays, then connect the batteries as shown in below pictures.

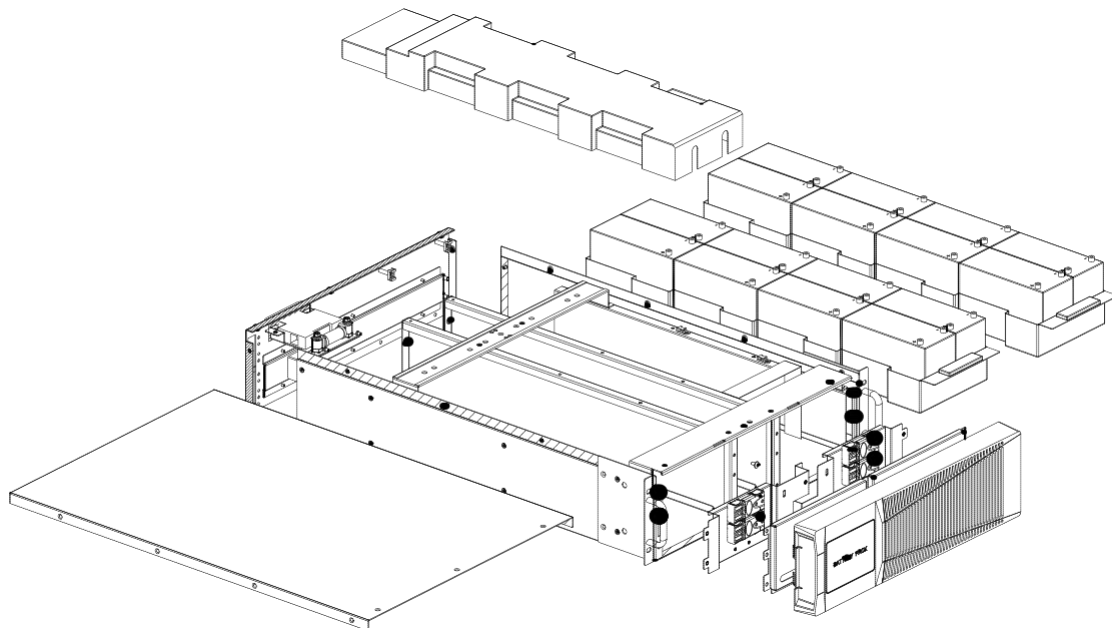


Fig. 7 (16pcs batteries installation)

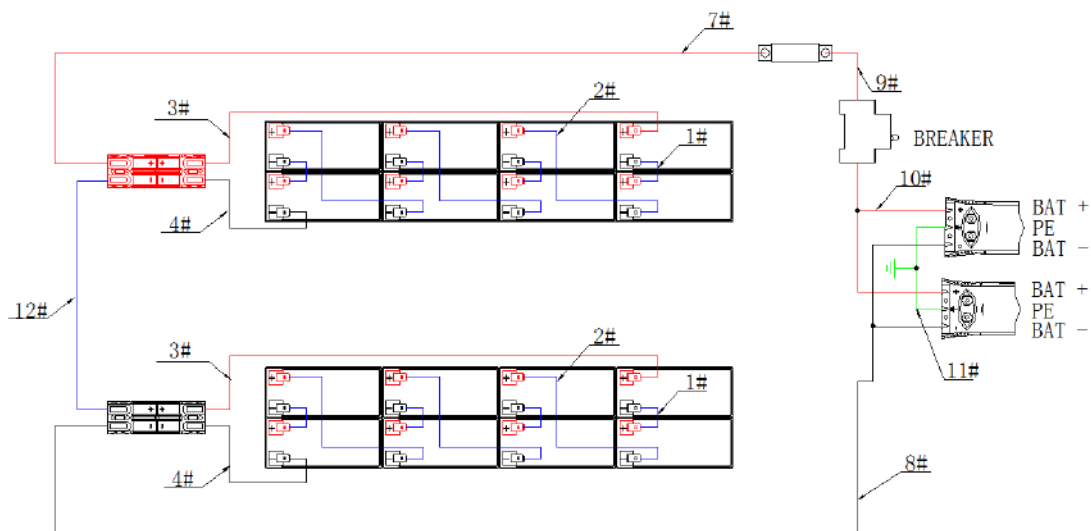


Fig. 8 (16pcs batteries connection)

2.2.3. Battery voltage checking

After the battery installation and connection done, check if BAT+ to BAT- voltages are correct with multimeter or other equipments. Install the cover if the voltages are correct.

NOTE: Battery “+” “-” poles cannot be reversed, also cannot short the battery “+” “-” poles, otherwise batteries would be damaged or other accidents would happen. Don’t touch the battery “+” “-” poles at the same time. It’s better only single man make the operation.

2.2.4. Battery cable terminal fixing

NOTE: The battery cable does not support hot swapping, and when installing the battery cable, the terminal fixing parts need to be locked on the battery terminal and rear panel to prevent the battery cable from loosening.

Use two screws and nuts to secure the terminals to the fixing piece, then insert the battery cable into the battery pack, and finally use screws to secure the fixing piece to the rear panel of the battery pack.

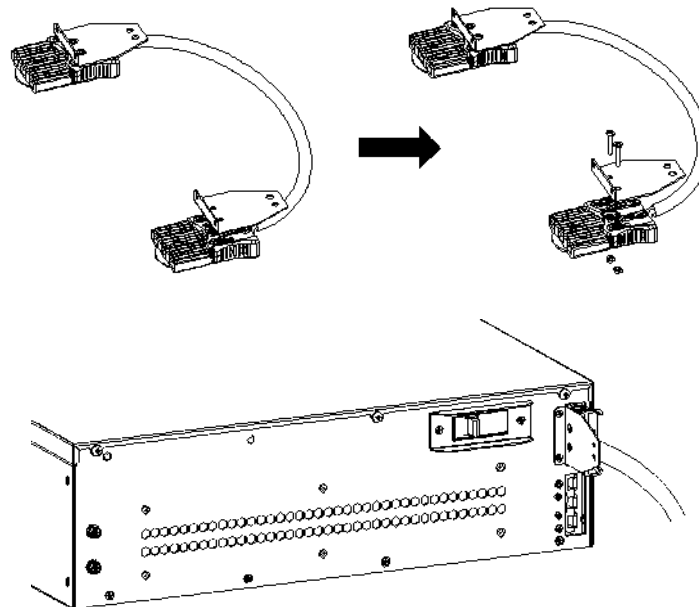


Fig. 9 Battery cable terminal fixing

3 . Battery pack accessories

A complete of 5-10KVA UPS battery pack includes below accessories.

No.	Name	Specification	PCS
1	Battery cable	Battery pack to UPS connection battery cable	1
2	Sheet metal parts	Battery terminal fixing parts	2
3	screws	M3*10	4
4	nuts	M3	4
5	user's manual	5-10k UPS battery pack	1
6	Plastic base	Tower mounting bracket	4

